

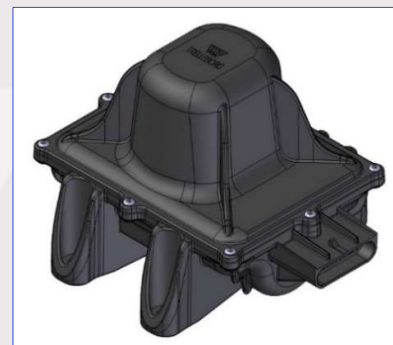
[DATASHEET](#)

# TPMS ROUTER

Router is a telematics device receiving data from tire pressure sensors and providing pressure and temperature information to the driver display, and cloud servers over a cellular network (GSM/UMTS). The router can be configured remotely and set as a gate or an on-board (vehicle) application.

The Driver Display can be used to pair the pulling unit and the pulled unit to show the values and alarm messages for both units.

- ✓ Qualified according to OEM requirements
- ✓ Receives the INTIRE Tire Pressure Sensor data
- ✓ Transmits Tire Pressure Sensor data regularly via mobile connection to Cloud Server
- ✓ Communicates with optional Driver Information Display via cable
- ✓ Housing is protected against splashing water (IP69K)



Properties	
Item	Description
Application	Light, medium and heavy-duty commercial vehicles
Operating Temperature	-40 °C to +85 °C / -40 °F to 185 °F
Radio Frequency	434 MHz
Frequency Bands Europe	GSM850, EGSM900, DCS1800, PCS1900, UMTS2100, UMTS900
Frequency Bands North America	GSM850, EGSM900, DCS1800, PCS1900, UMTS1900, UMTS850
Network Provider	Deutsche Telekom
SIM Card	M2M, International Roaming
Power Supply Router	12 V to 24 V DC
Maximum Current consumption	2 A at 3 V
Backup supply during parking	> 1 week
Weight	650 g
Width	150 mm
Height	120 mm
Length	170 mm